

Trailer Inspection

Type of Trailer: _____ Year: _____ Make: _____
 Model: _____ VIN #: _____

Specifications & Dimensions		
Total Length: _____ ft Total Width: _____ inches We will "NOT" approve any trailer listing missing these two measurements	# of Rear Axles _____ Axles: Fixed or Spread _____ Aluminum Wheels: Y / N _____ GVWR: _____ lbs Body: Aluminum / Steel _____	Hitch: Fifth Wheel <input type="checkbox"/> Pintle <input type="checkbox"/> Gooseneck <input type="checkbox"/> Std Ball Type <input type="checkbox"/> Winch <input type="checkbox"/> Air Ride Suspension <input type="checkbox"/> Deck Composition: Steel <input type="checkbox"/> Wood <input type="checkbox"/> Aluminum <input type="checkbox"/> Combo <input type="checkbox"/> Other <input type="checkbox"/>

Options & Details
Lowboy & Drop Decks : Detachable Neck <input type="checkbox"/> Ground Bearing <input type="checkbox"/> Non Ground Bearing <input type="checkbox"/> Flip Axle <input type="checkbox"/> Pony Motor <input type="checkbox"/> Outriggers <input type="checkbox"/> Tool Storage <input type="checkbox"/> Air Ride <input type="checkbox"/> Rear Ramps <input type="checkbox"/> Hydraulic Rear Ramps <input type="checkbox"/> Size Ramps _____ ft/in Extendable Well <input type="checkbox"/> Extends _____ ft Well Length: _____ ft Capacity: _____ ton
Dump Trailer: Type of Dump: End / Bottom / Side Frameless <input type="checkbox"/> Hydraulic Rear Gate <input type="checkbox"/> Liner <input type="checkbox"/> Half Round <input type="checkbox"/> Coal/Grain Door <input type="checkbox"/> Electric Tarp <input type="checkbox"/> Asphalt Apron <input type="checkbox"/> Smooth Side Body <input type="checkbox"/>
Tank Trailer: Type of Liquid/Gas Hauled _____ Tank Size _____ gal # of Compartments _____ Vapor Recovery <input type="checkbox"/> Bottom Load <input type="checkbox"/> Insulated <input type="checkbox"/> Vacuum <input type="checkbox"/> Heat Rating _____ degrees(chem trailer) P.S.I Rating _____ (LP/gas trailer) Pumps <input type="checkbox"/>
Pneumatic/Dry Bulk Trailer: Setup to Haul _____ Capacity _____ cu ft Discharge Line _____ inch Valve Size _____ inch Inverted Axles <input type="checkbox"/> Bottom Load <input type="checkbox"/>
Refrigerated Trailer: Cooling/Unit Make _____ C/U Model _____ C/U hours _____ C/U Operational <input type="checkbox"/> Insulated <input type="checkbox"/> Heavy Duct Floor <input type="checkbox"/> Side Door <input type="checkbox"/>
Misc: Ramps <input type="checkbox"/> Hydraulic Ramps <input type="checkbox"/> Tilt Bed <input type="checkbox"/> Pup <input type="checkbox"/> Gravel Train <input type="checkbox"/> Belt Trailer <input type="checkbox"/> Belt Width _____ inches Live Floor <input type="checkbox"/> Traveling Axle Trailer <input type="checkbox"/>

List other features, options, attachments or specs not listed above _____

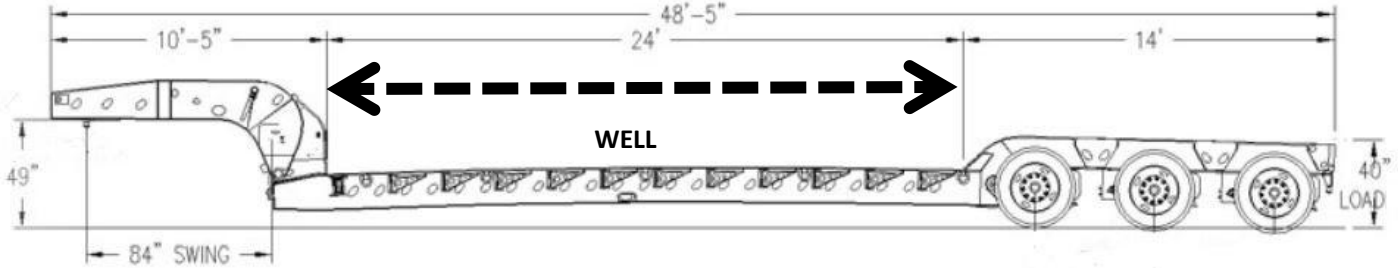
Is the Seller aware of any issues? _____

Sellers Name: _____ Company Name: _____ Address: _____ Phone: _____ Email Address: _____	Title Info: Free & Clear <input type="checkbox"/> Bank Lien <input type="checkbox"/> Seller's Minimum Cost <div style="border: 1px solid black; height: 40px; width: 100%;"></div>
--	---

Measuring Trailers

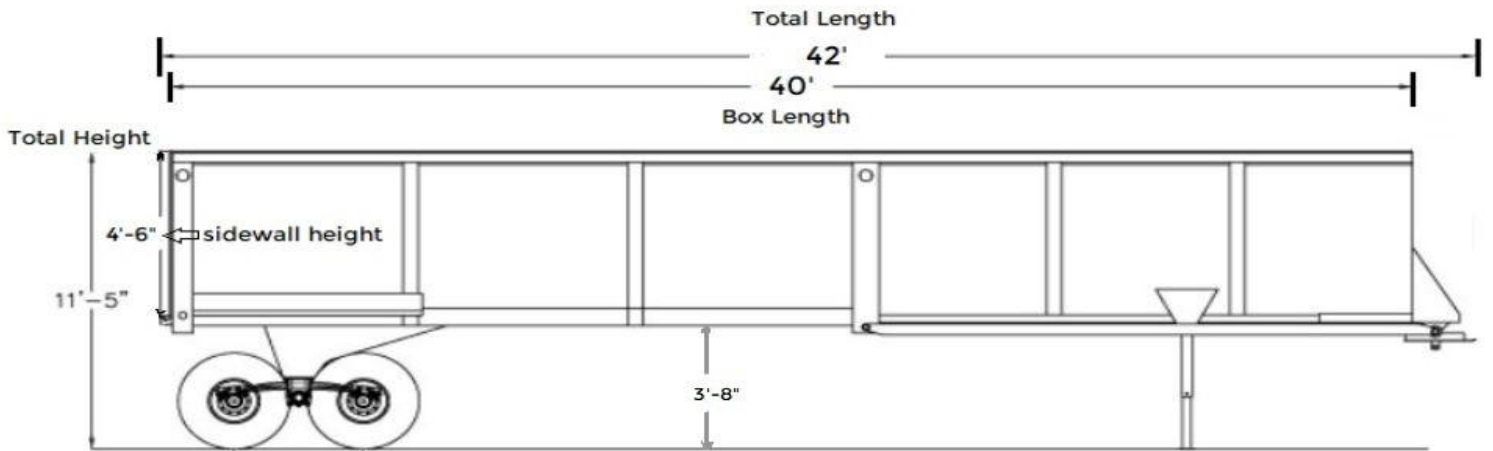
Lowboys/Drop Decks

“Always” measure the WELL, it’s the “ low flat area” where the equipment will ride during transport
The well in this example is 24 feet



Dump Trailer's

“Always” measure the BOX its usually 1' to 2' shorter than the overall Total Length, but it a question dump trailer buyers will always ask you



Goosenecks

